

PROJECT NAME:	TYPE:
DATE:	
PREPARED BY:	
PART NO.:	

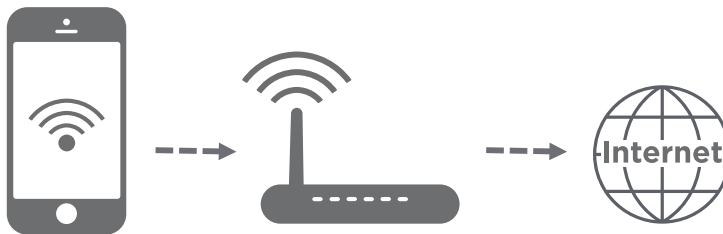
snap

EN

LED + WIRELESS CAMERA

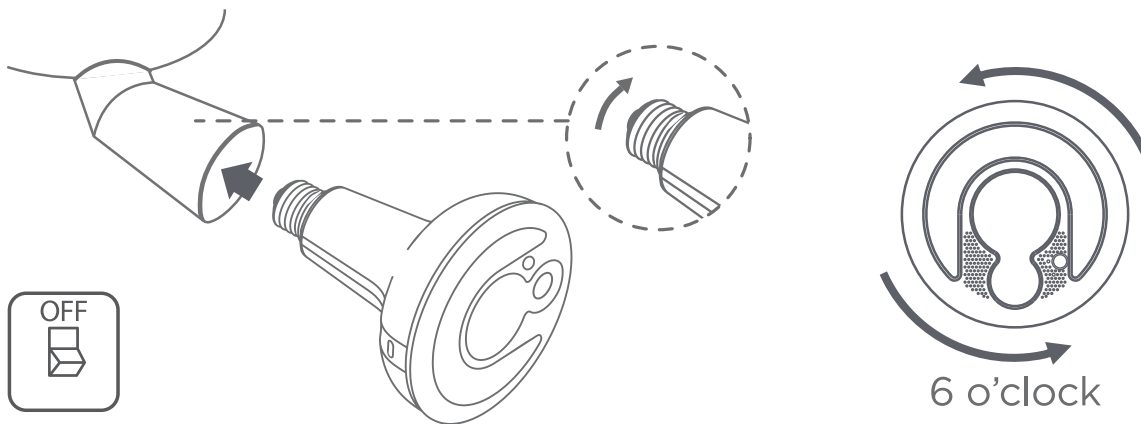
Quick Start Guide

1 Connect your iOS or Android device to your Wi-Fi network.



Tip: make sure the Wi-Fi signal is strong at desired socket location

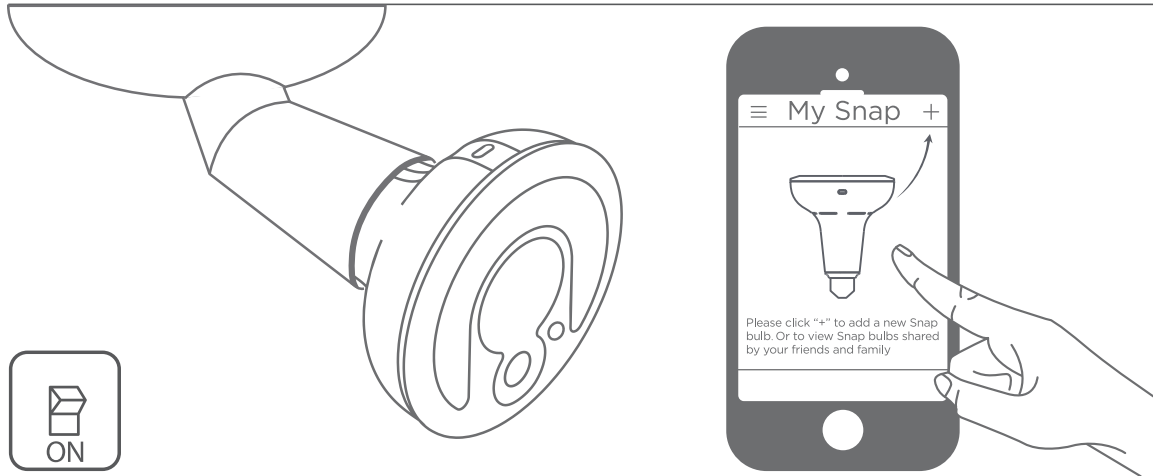
2 Twist Snap into the socket until tight. Then rotate the bulb counter-clockwise until the camera is at 6 o'clock.



3 Download & install the Snap app. Open the app and create a new account.

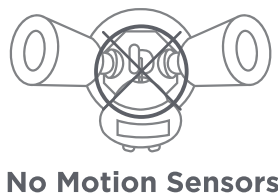


- 4 Switch on the power to the socket and follow the in-app instructions to set up your new Snap bulb.



ATTENTION

- Do not use with dimmers.
- Snap bulbs require constant power to operate. Fixtures with motion sensors may stop the flow of electricity to the socket. The effective range of your Wi-Fi router may not be sufficient to reach the Snap bulb. A Wi-Fi extender may be required to increase the range of your Wi-Fi network.



© 2015 Sengled, Incorporated. All rights reserved. Sengled Snap is a trademark of Sengled, Incorporated, registered in the United States and other countries. Specifications are subject to change without notice. Other trademarks and trade names are the property of their respective owners.